

LED JNR FLOODLIGHT 30W

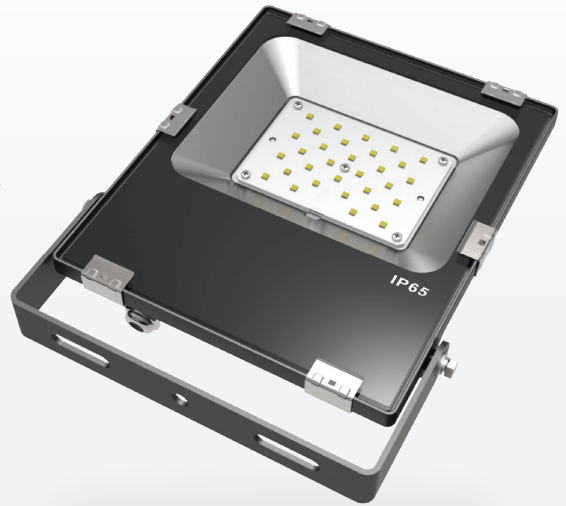
LED JNR FLOODLIGHT SERIES

4000K or 5000K
Colour Temperature

3 year
Warranty

IP65
Rated

IK08
Rated



FEATURES

- Ultra efficient system efficacy of 117lm/W
- Ultra-thin streamline body
- High quality Philips Lumileds LED chips
- 36,500 hours to L70
- Corrosion resistant aluminium body
- Replaces a 300W Halogen Floodlight or a 70w Metal Halide Floodlight

LIGHTING DATA

LIGHT SOURCE	Lumileds 3030 2D
LUMEN OUTPUT	3,495lm
LUMINAIRE EFFICACY	117lm/W
LIFETIME @L70	>36,500hrs
CCT	4000K (CW) or 5000K (NW)
CRI	>75
BEAM ANGLE	110°

ELECTRICAL DATA

POWER SUPPLY	Sosen LED Driver
SYSTEM WATTAGE	30w
MAINS VOLTAGE	AC100-277V / 50-60 Hz
POWER FACTOR	>0.90
THD	<20%
CONNECTION	1.2m 3 core cable

DESIGN / CONSTRUCTION

BODY MATERIAL	Aluminium
LENS MATERIAL	Toughened Glass
REFLECTOR MATERIAL	Polished Aluminium
BRACKET MATERIAL	Iron
COATING	Polyester powder coated black
MAINTENANCE	Regular cleaning of surfaces
WEIGHT	1.1kg

TECHNICAL DATA

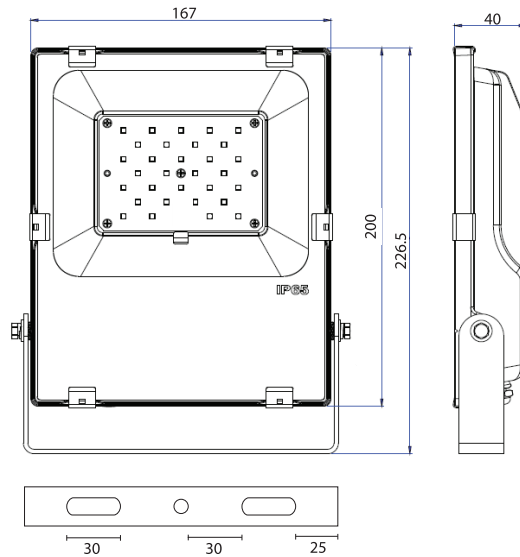
IP RATING	IP65
IK RATING	IK08
OPERATING TEMP	-20° to + 45°C
PROTECTION CLASS	Class 1
CERTIFICATIONS	SAA
WARRANTY	Standard 3 year warranty

CODE 4000K	EVFL30CW
CODE 5000K	EVFL30NW

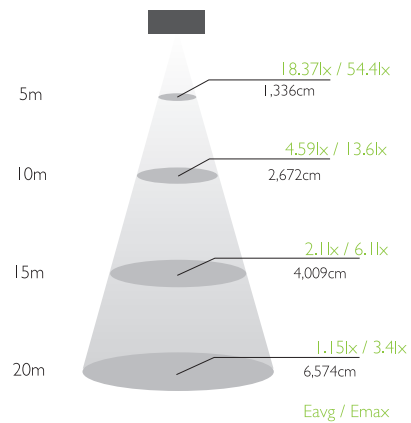
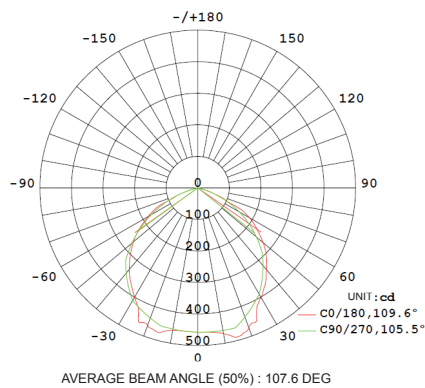
LED JNR FLOODLIGHT 30W

LED JNR FLOODLIGHT SERIES

DIMENSIONS



PHOTOMETRIC DIAGRAM



IMAGES

