

SmartBright LED Security Light

BWS220

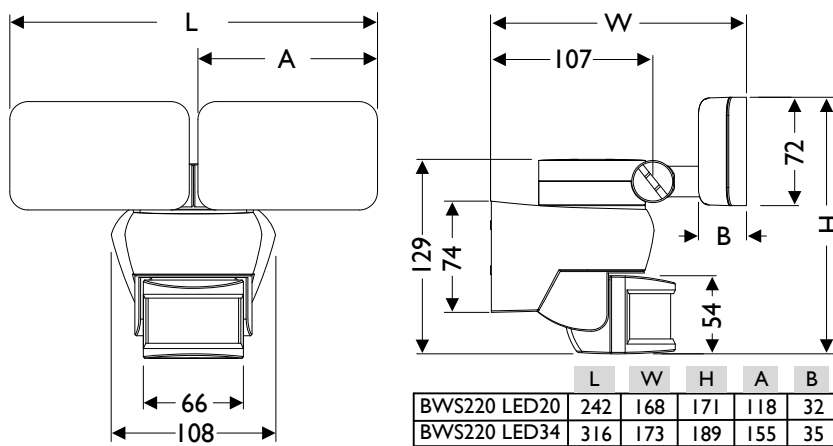
Mounting instruction

20170628 V1.1

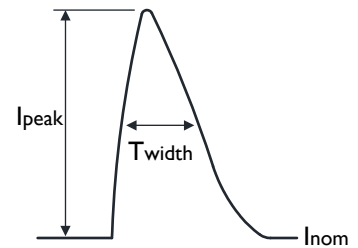
AS/NZS 60598	LED	IP54			$t_a 25^{\circ}\text{C}$
--------------	-----	------	--	--	--------------------------

Product Type	Lum. Power	Mains Input	Lumen Output	CRI&CCT	
BWS220 LED20/WW PSU	30W(15Wx2)	240V~,50/60Hz	2000lm(1000lmx2)	830	0.68
BWS220 LED20/NW PSU				840	
BWS220 LED20/CW PSU				860	
BWS220 LED34/WW PSU	46W(23Wx2)	240V~,50/60Hz	3400lm(1700lmx2)	830	0.86
BWS220 LED34/NW PSU				840	
BWS220 LED34/CW PSU				860	

Dimensions (Unit: mm)

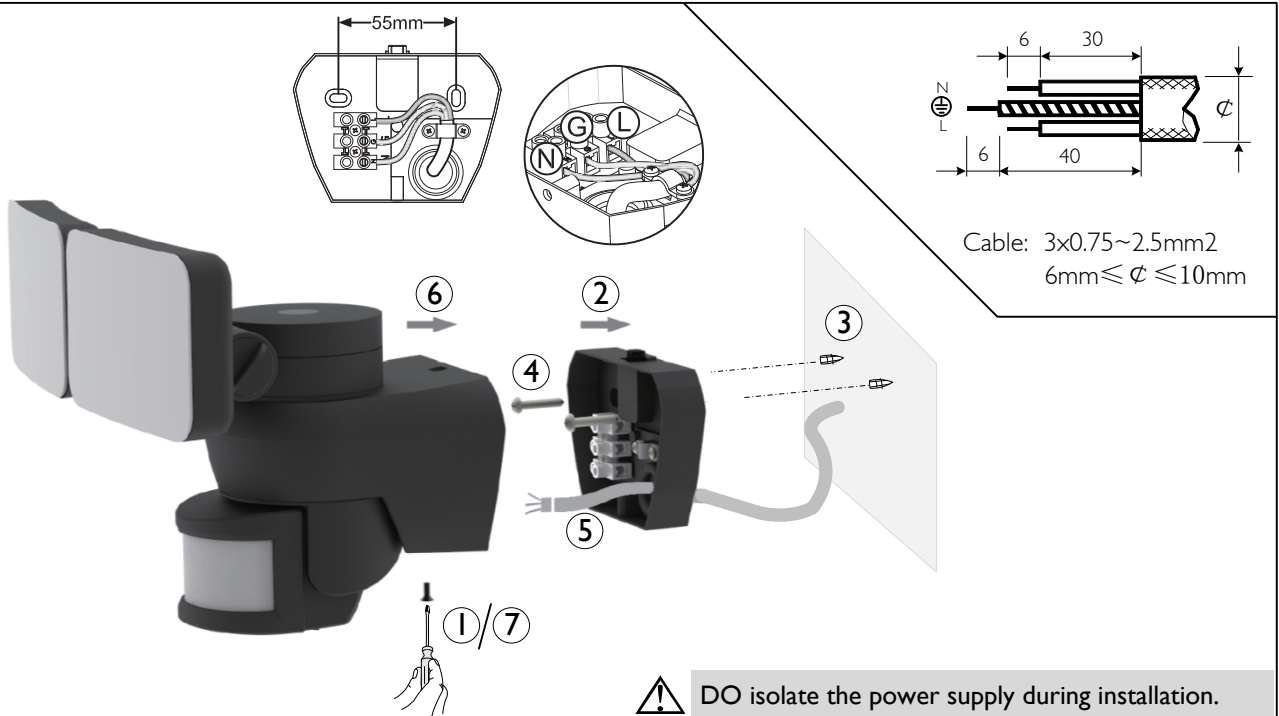


Inrush Current

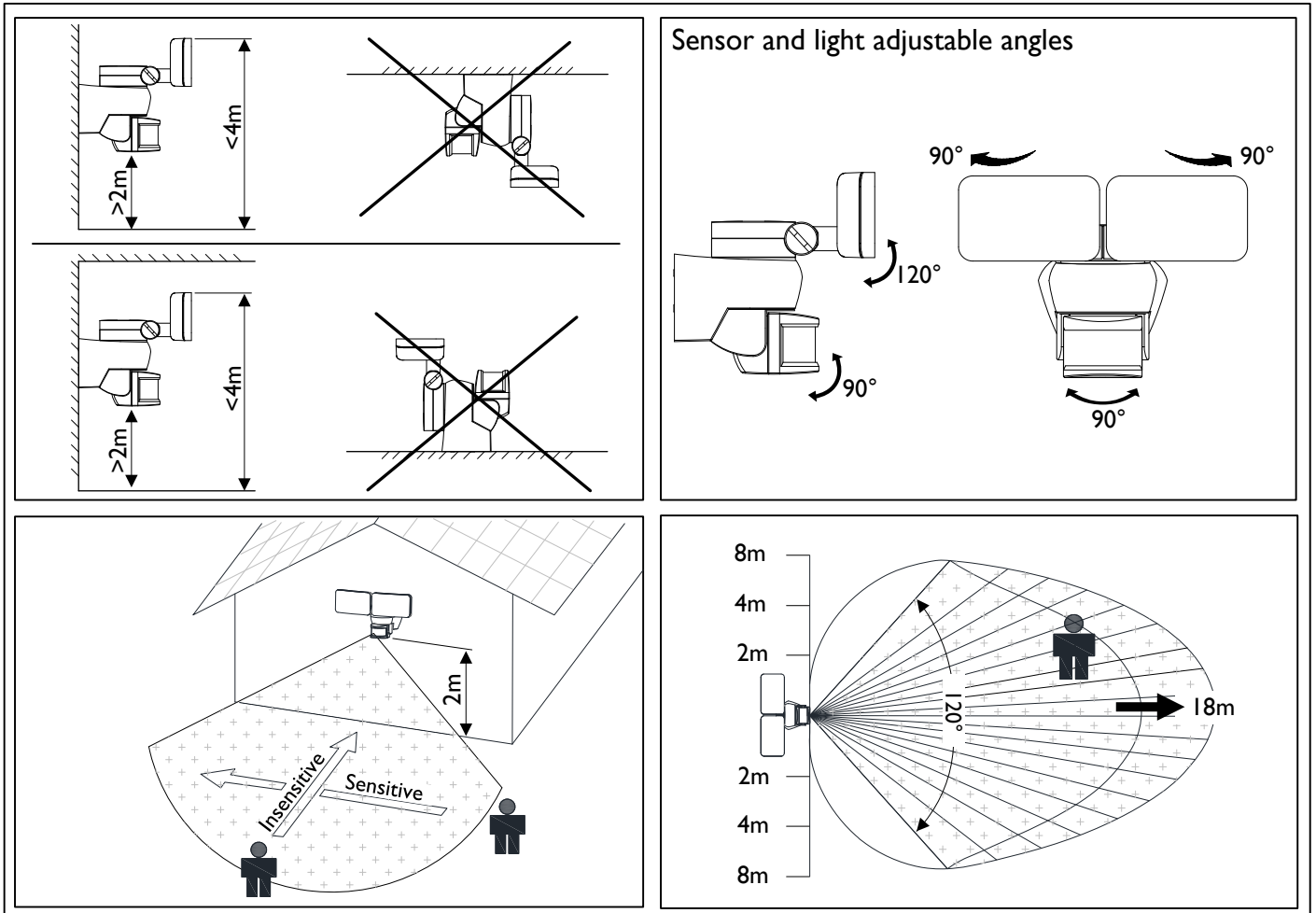


	BWS220 LED20	BWS220 LED34
Inom/Run current(A)	0.13	0.20
Ipeak(A)	5.25	5.28
Twidth(uS)	40.5	41
Earth Leakage Current(mA)	0.177	0.18
MCB(Type B 16A)	20pcs	20pcs
MCB(Type C 16A)	32pcs	32pcs

Mounting Installation



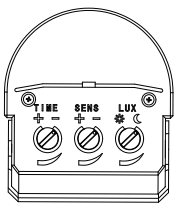
Application



Setting & Operation

Test mode

1. Turn **TIME** control counterclockwise to MIN position (" - ")
Turn **SENS** control clockwise to MAX position (" + ")
Turn **LUX** control counterclockwise to SUN position (" * ")
2. Turn on the wall switch. The unit will be light and stay on.
Walk through the detection area. The lights turn on when you move and turn off when you stop. Wait until the lights turn off and then move again to test the sensor.
3. For a smaller coverage zone, point the sensor downwards.
For a wider coverage zone, point the sensor upwards.



Set up

Automatic Operation

- 1) Time adjustment
TIME controls the duration time of the fixture stays on once activated.
 - When the Time rotary switch is turn to "+" position (max), the light will stay on after motion has been detected to 7 ± 2 mins.
 - When the Time rotary switch is turn to "-" position (min), the light will stay on after motion has been detected to 10 ± 5 secs.
 - Customize duration of light on by rotating between the "+" and "-" positions.

2) Sensor adjustment

SENS controls the detection distance of the PIR Sensor.
- Turn rotary switch from "-" (min) to "+" position (max) to enable PIR sensor detection distance, up to 18m (at 2m height).

3) LUX adjustment

LUX controls the sensitivity of the photosensor.
- When rotary switch is turn to SUN position (max), the light will come on when the sensor detects motion both at day and night time.
- When rotary switch is turn to MOON position (min), the light will come on when the sensor detects motion only at night time.

Manual Over-ride

To keep the lights on regardless of the motion, you can override the automatic operation. To enable Manual Override mode, first ensure that the lights are on and then turn the wall switch off and on twice (off-on, off-on) within 8 seconds. The interval between the first and second operation must be within 0.5 - 2 seconds.

Users can also manually set the motion sensor back to Automatic Operation by: turning off the wall switch for at least 10 seconds and then turning it back on.

1. Read this entire manual before you start to install the system.
2. The luminaire shall be installed by a qualified electrician and wired in accordance with the latest IEE electrical regulations or the national requirements.
3. **TURN OFF** the power during installation or maintenance to avoid electrical shock.
4. For indoor and semi outdoor use, not available for public outdoor.
5. Avoid aiming the sensor at pools, heating vents, air conditioners or objects which may change temperature rapidly.
6. The light source of this luminaire is not replaceable; when the light source reaches its end of life the whole luminaire shall be replaced.
7. Luminaire must not be used or stored in corrosive environment where hazardous materials such as Sulphur, Chlorine, phthalates, etc., are present.



PHILIPS