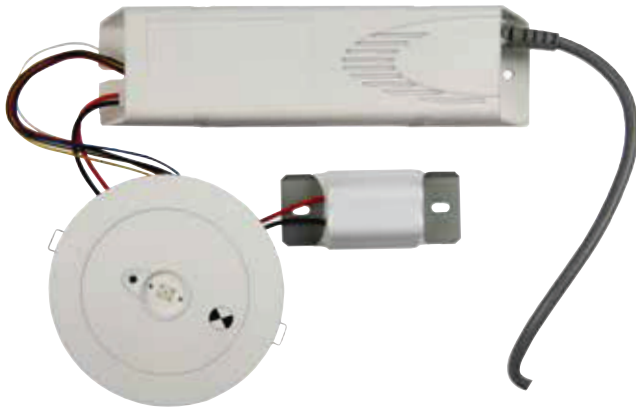


# Interior emergency luminaires

## UFO LED



Recessed UFO LED is a stylish, modern and easy to install non maintained luminaire suitable for both new and retrofit applications.

LED technology offers new possibilities for emergency lighting, allowing luminaires to be more discreet, use less energy, have a lower environmental impact and require dramatically less maintenance than before.

- Non maintained
- Recessed
- LED
- Superior light output
- Versatile construction
- Theatre option
- Choice of spinning assembly sizes
- Ideal for both new & retrofit applications

### Installation notes

Suitable for flush mounting into suspended ceilings.  
Spinning assembly retained by steel clips.  
Plug and go assembly.

### Application

- Stairwells and other escape route areas
- Offices
- Restaurants
- Hospitals
- Shopping centres

### Design features

- Superior light output - C0, C90: D40
- Energy efficiency and longer life - 50,000 hours
- Dual rate charge inverter -very low stand by usage
- 85mm spinning for new applications (70mm cut out)
- Adaptor plate for retrofit applications (up to 110mm cut out)
- Spring fixing allows installation on ceilings from 1mm to 20mm

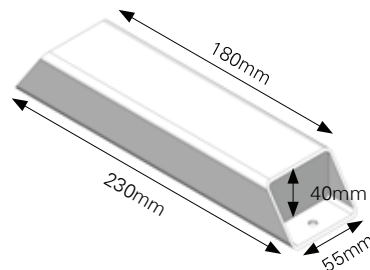
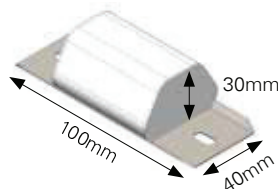
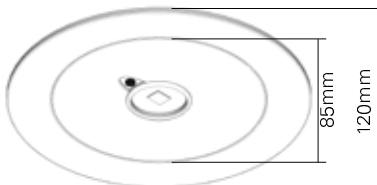
### Technical data

<b>Operation mode</b>	Non maintained
<b>Operation voltage</b>	240V, 50Hz
<b>Lamp detail</b>	3W LED 2 hour emergency duration
<b>Standard materials</b>	Housing - PC + ABS, choice of black or white finish Spinning assembly - PC + ABS
<b>Weight</b>	0.6kg
<b>Warranty</b>	3 year product warranty

### Ordering information

<b>UFO-LED</b>	Recessed mount non maintained emergency (complete fitting, white finish) Ni-Mh
<b>UFO-LED-B</b>	3W LED black Theatre mask non-maintained emergency
<b>UFO-LED-BLK</b>	Theatre conversion kit - KIT ONLY (spinning and adaptor plate only, black finish)
<b>UFO-LED-CD</b>	IP44 recessed mount non maintained emergency (complete fitting and clear dome, white finish)
<b>UFO-LED-CGL</b>	Recessed mount non maintained emergency, CGLine+ monitoring

### Dimensions



# Interior emergency luminaires

## UFO Surface Mount



### Installation notes

Surface mount onto ceilings & where required walls.  
Lower base plate fixed direct, via mounting hole.  
Knockout provided on housing for surface conduit entry.

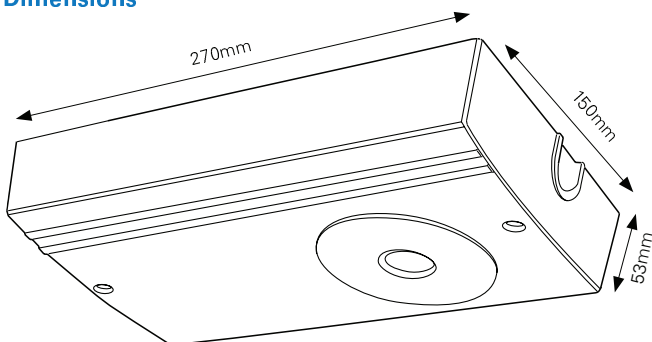
### Application

- Stairwells and other escape route areas
- Offices
- Restaurants
- Hospitals
- Shopping centres
- Carparks
- Warehouses
- Factories

### Technical data

<b>Operation mode</b>	Non maintained
<b>Operation voltage</b>	240V, 50Hz
<b>Lamp detail</b>	3W LED 2 hour emergency duration
<b>Standard materials</b>	Housing - PC + ABS
<b>Weight</b>	0.7kg (complete fitting) 0.4kg (kit only)
<b>Warranty</b>	3 year product warranty

### Dimensions



UFO-LED surface mount has been designed to ease installation, reduce power consumption and minimise maintenance,

- Non maintained
- Surface mount LED
- Superior light output
- Modern light weight construction
- Ideal for both new & retrofit applications
- Available as a complete luminaire or conversion kit for existing UFO-LED's

### Design features

- Superior light output - C0, C90: D40
- Energy efficiency and longer life - 50,000 hours.
- Dual rate charge inverter -very low stand by usage
- Environmentally friendly Ni-Mh battery pack
- 3 x 20mm conduit entries
- Light weight PC + ABS construction for ease of installation

### Ordering information

<b>UFO-LED-SM</b>	Surface mount non maintained emergency (complete fitting, white finish) Ni-Mh
<b>UFO-LED-SM-B</b>	Theatre surface mount non maintained emergency (complete fitting, black finish) Ni-Mh
<b>UFO-LED-SMK</b>	Surface mount conversion kit used to quickly and effortlessly transform recessed mount UFO LED to a surface mount luminaire.
<b>UFO-LED-SM-CGL</b>	Surface mount non maintained emergency (complete fitting, white finish) CGLine+ monitoring