

CATALOGUE

ELECTRICAL & MECHANICAL SUPPORT SYSTEMS

Metal Framing • Pipe Supports • Fittings, Nuts & Hardware • Cable Trays and Cable Ladders

UNISTRUT®

A PART OF  **atkore**
INTERNATIONAL



UNISTRUT® STRUT NUTS

MATERIAL

Unistrut® spring nuts are manufactured from steel bars, and after machining operations are completed, zinc plated nuts are case hardened. Hardening assures positive biting action into the inturred edge of the Unistrut® Strut. Similar nuts without springs are also available. Strut nuts are manufactured by welding studs to UNISTRUT® nuts except for USB series which are drop forged. Nuts and bolts are manufactured to AS1111 & AS1112.

Threads: All threads on the nuts and bolts are metric coarse.

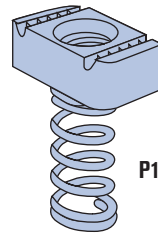
Design Bolt Torque: Refer to Engineering Data Page 47

Finishes: Nuts and bolts are zinc plated to Australian Standards AS1897, selected sizes also available in heavy duty galvanised to AS1214.

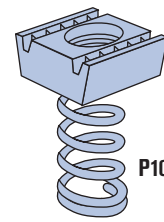
Stainless Steel: Grade 316 class 70

P1000® & P2000 STRUT NUTS, WITH SPRINGS

Size	Part No. ZP	Part No. HG	Part No. SS	Mass Kg/100
M6	P1006	P1006H	P1006SS	3.2
M8	P1007	P1007H	P1007SS	3.2
M10	P1008	P1008H	P1008SS	4.5
M12	P1010	P1010H	P1013SS	5.4
M16	P1012S	P1012SH	P1012SS	9.5



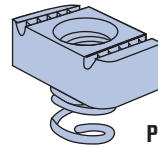
P1006/7/8/10



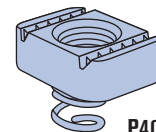
P1012S

P3300 & P4000 STRUT NUTS, WITH SPRINGS

Size	Part No. ZP	Part No. HG	Part No. SS	Mass Kg/100
M6	P4006	P4006H	P4006SS	3.2
M8	P4007	P4007H	P4007SS	2.7
M10	P4008	P4008H	P4008SS	4.1
M12	P4010	P4010H	P4013SS	3.6
M16	P4012S	P4012SH	P4012SS	5.1



P4006/7/8/10



P4012S

FOR P5500 STRUT NUTS - WITH SPRINGS

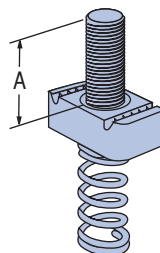
Size	Part No. ZP	Part No. HG	Part No. SS	Mass Kg/100
M10	P5508	-	-	4.5
M12	P5510	-	-	5.4



P5508/10

STUD NUT - P2378M6-1 TO P2381M12-5

Size	DIM "A" mm	Part No. ZP	Mass Kg/100
M6	25	P2378M6-1	3.6
M6	38	P3278M6-3	4.1
M10	25	P2380M10-1	5.9
M10	45	P2380M10-4	6.8
M12	25	P2381M12-2	6.4
M12	45	P2381M12-5	8.2

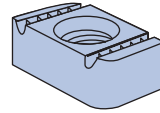


UNISTRUT®

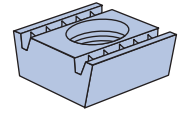
STRUT NUTS NO SPRINGS

P1000® & P2000 STRUT NUTS, NO SPRINGS

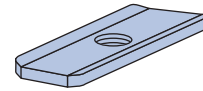
Size	Part No. ZP	Part No. HG	Part No. SS	Mass Kg/100
M6	P3016	P3016MG	P3016SS	1
M6	P3006	P3006H	P3006SS	2.7
M8	P3007	P3007H	P3007SS	2.7
M10	P3008	P3008H	P3008SS	4.1
M12	P3010	P3010MG	P3013SS	5
M16	P1012	P1012H	-	9.1



P3006/7/8/13



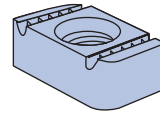
P1012



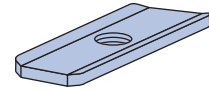
P3016

P3300 & P4000 STRUT NUTS, NO SPRINGS

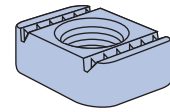
Size	Part No. ZP	Part No. HG	Part No. SS	Mass Kg/100
M6	P3016	P3016MG	P3016SS	1
M6	P3006	P3006H	P3006SS	2.7
M8	P3007	P3007H	P3007SS	2.7
M10	P3008	P3008H	P3008SS	4.1
M12	P3013	P3013MG	P3013SS	3.6
M16	P4012	P4012H	P4012SS	5



P3006/7/8/13



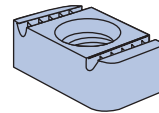
P3016



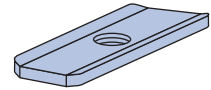
P4012

P5500 STRUT NUTS, NO SPRINGS

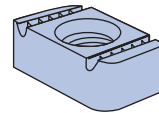
Size	Part No. ZP	Part No. HG	Part No. SS	Mass Kg/100
M6	P3016	P3016MG	P3016SS	1
M6	P3006	P3006H	P3006SS	2.7
M8	P3007	P3007H	P3007SS	2.7
M10	P3008	P3008H	P3008SS	4.1
M12	P3010	P3010MG	P3013SS	3.6
M16	P1012	P1012H	-	9.1



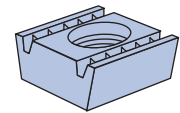
P3006/7/8



P3016



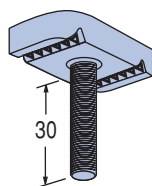
P3010



P1012

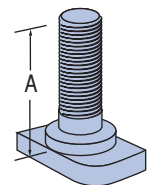
FIXTURE STUD NUT - P3116

Size	DIM "A" mm	Part No. ZP	Part No. MG	Mass Kg/100
M6	30	P3116	P3116MG	3.5



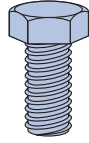
STUD BOLT - USB045 TO USB102

Size	DIM "A" mm	Part No. ZP	Mass Kg/100
M16	45	USB045	10
M16	76	USB076	14
M16	102	USB102	18



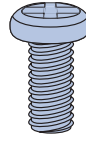
HEX HEAD SET SCREWS

Part No.	Size	Mass kg/100
HHS0620	M6 x 20	0.6
HHS0625	M6 x 25	0.7
HHS0630	M6 x 30	0.8
HHS0820	M8 x 20	1.2
HHS0825	M8 x 25	1.4
HHS0830	M8 x 30	1.5
HHS0840	M8 x 40	1.8
HHS1020	M10 x 20	1.9
HHS1025	M10 x 25	2.1
HHS1030	M10 x 30	2.5
HHS1040	M10 x 40	3.0
HHS1224	M12 x 25	4.2
HHS1230	M12 x 30	4.5
HHS1240	M12 x 40	5.1
HHS1260	M12 x 60	7.5
HHS1640	M16 x 40	9.5



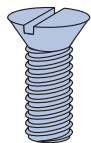
PAN HEAD SCREWS

Part No.	Size	Mass kg/100
PHS0620	M6 x 20	0.6
PHS0625	M6 x 25	0.7
PHS0630	M6 x 30	0.8
PHS0825	M8 x 25	1.3



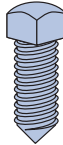
COUNTERSUNK HEAD SCREW

Part No.	Size	Mass kg/100
CKS0615	M6 x 15	0.3
CKS0620	M6 x 20	0.4
CKS0820	M8 x 20	0.8
CKS1020	M10 x 20	1.3



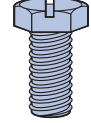
CONE POINT SET SCREW

Part No.	Size	Mass kg/100
CPS1040	M10 x 40	2.3
CPS1240	M12 x 40	3.8
CPS1250	M12 x 50	4.4



SLOTTED HEX HEAD SET SCREWS

Part No.	Size	Mass kg/100
SHS0620	M6 x 20	0.6
SHS0825	M8 x 25	1.2
SHS0830	M8 x 30	1.3



HEXAGON NUTS

Part No.	Size	Mass kg/100
HN06	M6	0.2
HN08	M8	0.5
HN10	M10	0.8
HN12	M12	1.8
HN16	M16	3.3
HN20	M20	5.6



FLAT WASHERS

Part No.	Size	Mass kg/100
FW06	M6	0.1
FW08	M8	0.1
FW10	M10	0.3
FW12	M12	0.4
FW16	M16	0.8
FW20	M20	0.9



SPRING WASHERS

Part No.	Size	Mass kg/100
SW06	M6	0.1
SW08	M8	0.2
SW10	M10	0.3
SW12	M12	0.4
SW16	M16	0.6
SW20	M20	1.0



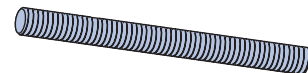
SHAKEPROOF LOCK WASHERS

Part No.	Size	Mass kg/100
LW06	M6	0.05
LW08	M8	0.06
LW10	M10	0.08
LW12	M12	0.10
LW16	M16	0.13
LW20	M20	1.20



UNIROD STEEL THREADED ROD

Part No.	Size	Max. Recommended Tensile Load (kN)	Mass kg/ea
UR06	M6	3.22	0.6
UR08*	M8	5.84	1.1
UR10*	M10	9.28	1.5
UR12*	M12	13.48	2.4
UR16*	M16	25.12	3.9
UR20*	M20	39.20	6.3

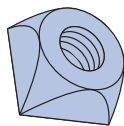


Standard Finish: Zinc Plated.
 *Also available in Heavy Duty Galvanised.
Standard Length: 2m
Unirod Load Data: Maximum recommended tensile load is based on a safety factor of 2.5 using the appropriate stress area of thread and ultimate tensile strength of 430 MPa.

P2676 – SWIVEL NUT

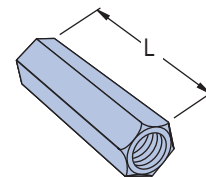
Part No.	Size	Mass kg/100
P267910	M10	1.7
P267912	M12	1.5

Note: Swivel nuts are used with P2676 and P2677. Order size as required.



ROD COUPLERS

Part No.	Size	Length 'A'	Mass kg/100
RC06	M6	20	1.2
RC08*	M8	20	2.3
RC10*	M10	30	4.0
RC12*	M12	40	7.8
RC16*	M16	50	12.2
RC20*	M20	50	19.0



Standard Finish: Zinc Plated.
 *Also available in Heavy Duty Galvanised.

UNISTRUT® FITTINGS - FLAT PLATE

MATERIAL

Unless otherwise noted, all fittings are punch press formed from plate or strip steel.

FITTING APPLICATION

All product drawings illustrate only one application of each fitting. In most cases many other applications are possible.

The members shown in the illustrations are P1000®, 41mm square, except where noted otherwise. All 14mm diameter holes use M12 x 25 hex head set screws and M12 nuts - P1010, P4010 or P5510 - depending on the Strut used. Nuts and bolts are not included with the fitting and must be ordered separately.

DESIGN LOAD DATA

Design load data, where shown, is based on the ultimate strength of the connection with a safety factor of 2.5.

DESIGN BOLT TORQUE

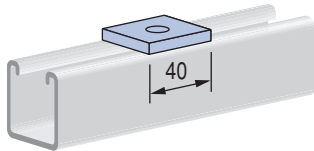
Refer to Engineering Data page 47.

FINISHES

All fittings in this section are available in Heavy Duty Galvanised finish to Australian Standard AS1789. Other finishes available on request.

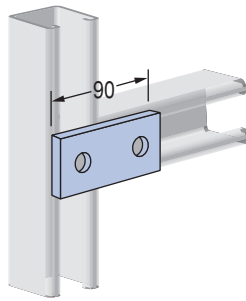
P1062 - P1964

Part No.	Bolt Size	Hole Size	Mass kg/100
P1062	8	9	5.9
P1063	10	12	5.7
P1064	12	14	5.5
P1964	16	18	5.4



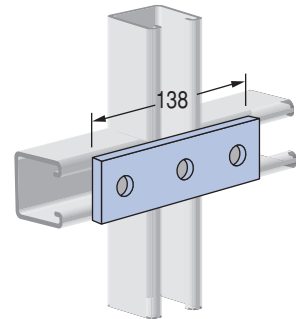
P1065

Mass: 13.4kg/100



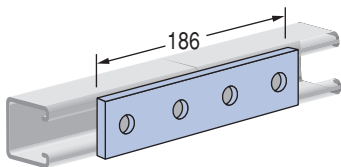
P1066

Mass: 20kg/100



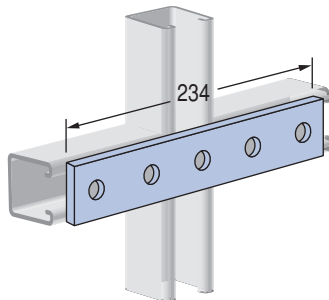
P1067

Mass: 26.7kg/100



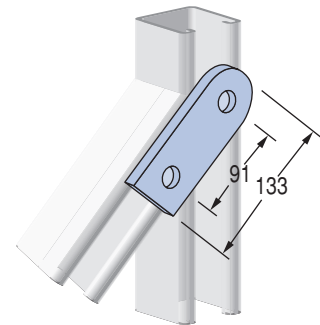
P1941

Mass: 34.2kg/100



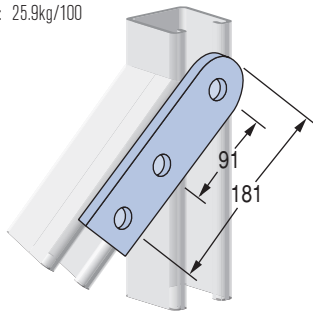
P2325

Mass: 19.2kg/100



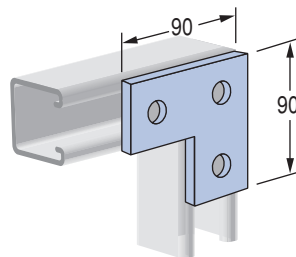
P2324

Mass: 25.9kg/100



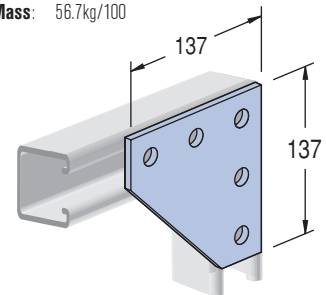
P1036

Mass: 20.9kg/100



P1873

Mass: 56.7kg/100

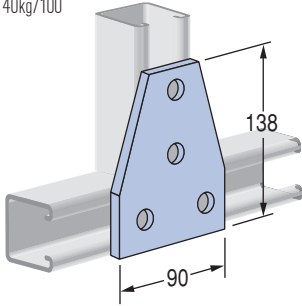


Standard Dimensions for 41mm width series Strut fittings (Unless Otherwise Shown on Drawing)
Hole Diameter: 14mm; Hole Spacing - From End: 21mm; Hole Spacing - On Centre: 48mm; Width: 40mm

UNISTRUT® FITTINGS - FLAT PLATE & 90° ANGLE

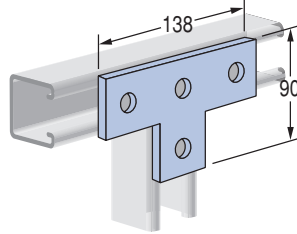
P1358

Mass: 40kg/100



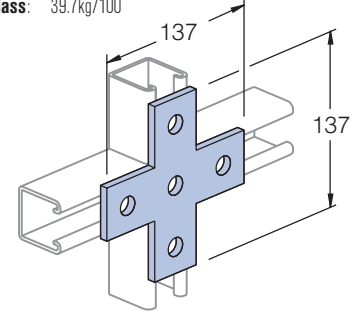
P1031

Mass: 29.2 kg/100



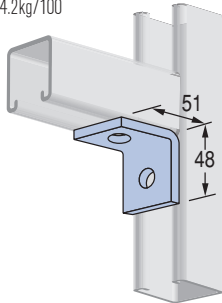
P1028

Mass: 39.7kg/100



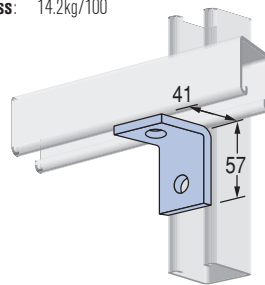
P1026

Mass: 14.2kg/100



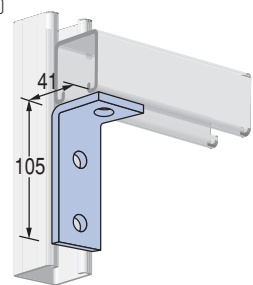
P1068

Mass: 14.2kg/100



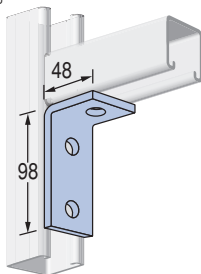
P1326

Mass: 20kg/100



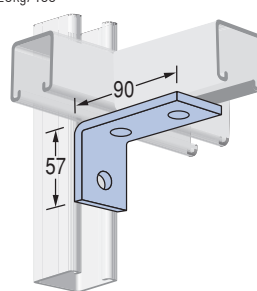
P1346

Mass: 20kg/100



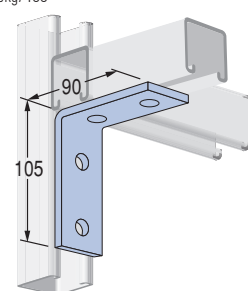
P1458

Mass: 20kg/100



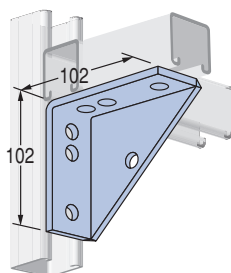
P1325

Mass: 27.5kg/100



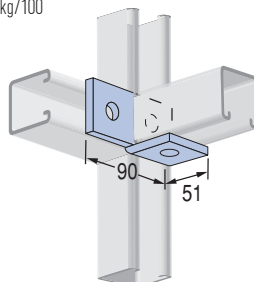
P2484

Mass: 50.9kg/100



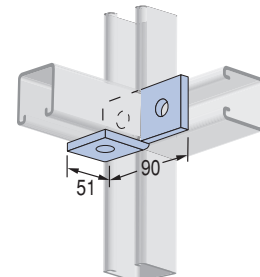
P1037

Mass: 20.9kg/100



P1038

Mass: 20.9kg/100

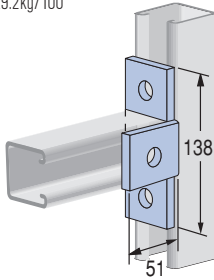


Standard Dimensions for 41mm width series Strut fittings (Unless Otherwise Shown on Drawing)
Hole Diameter: 14mm; Hole Spacing - From End: 21mm; Hole Spacing - On Centre: 48mm; Width: 40mm

UNISTRUT® FITTINGS - 90°, ANGULAR & "Z" SHAPE

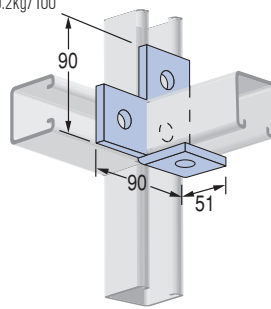
P1033

Mass: 29.2kg/100



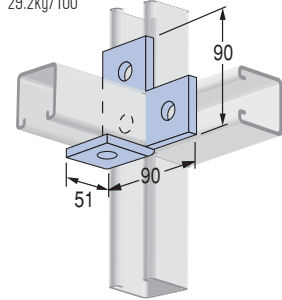
P1034

Mass: 29.2kg/100



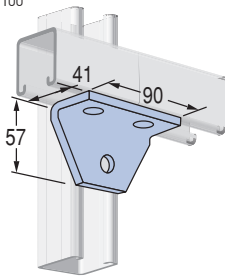
P1035

Mass: 29.2kg/100



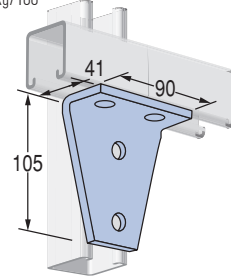
P1357

Mass: 26.7kg/100



P1359

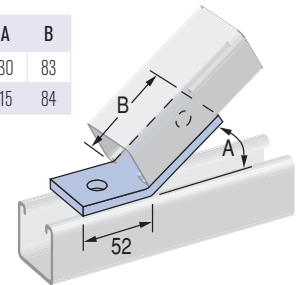
Mass: 40kg/100



P2101 & P2103

Mass: 21.7kg/100

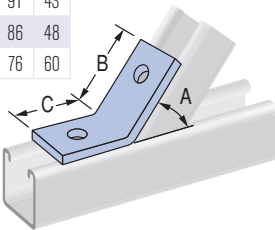
Part No.	A	B
P2101	30	83
P2103	15	84



P1546, P2095, P2097

Mass: 21.7kg/100

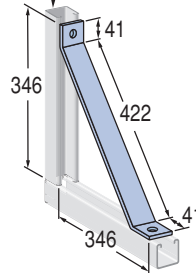
Part No.	A	B	C
P2095	75	91	43
P2097	60	86	48
P1546	45	76	60



P2452

Mass: 85.9kg/100

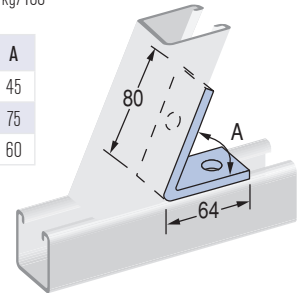
Design Axial Load - 5.36kN



P1186, P2106, P2108

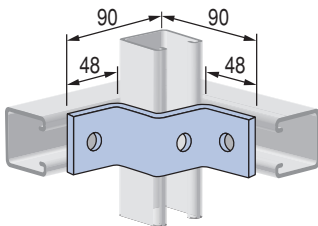
Mass: 21.7kg/100

Part No.	A
P1186	45
P2106	75
P2108	60



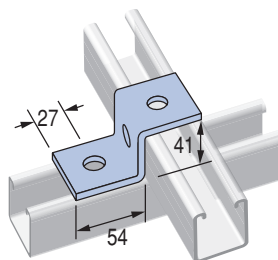
P1736

Mass: 22.5kg/100



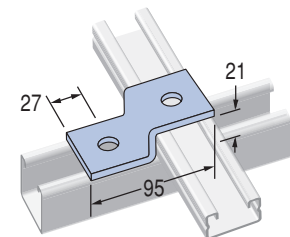
P1045

Mass: 20kg/100



P4045

Mass: 16.7kg/100



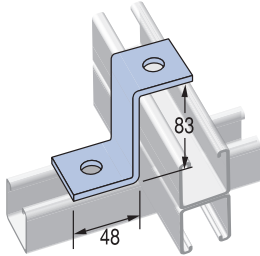
P4000 Shown

Standard Dimensions for 41mm width series Strut fittings (Unless Otherwise Shown on Drawing)
Hole Diameter: 14mm; Hole Spacing - From End: 21mm; Hole Spacing - On Centre: 48mm; Width: 40mm

UNISTRUT® FITTINGS - "Z", "U" AND WING SHAPE

P1453

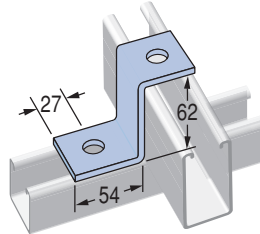
Mass: 25kg/100



P1001 Shown

P5545

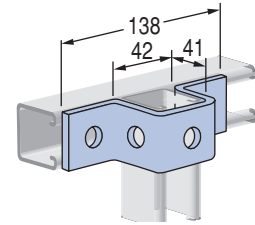
Mass: 24.2kg/100



P1000® and
P5500 Shown

P1047

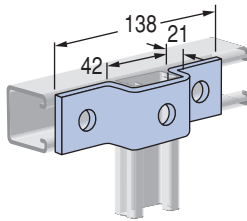
Mass: 30.9kg/100



P1000® Shown

P4047

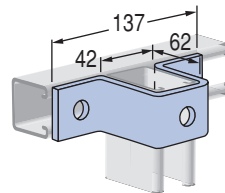
Mass: 25kg/100



P1000® and
P4000 Shown

P5547

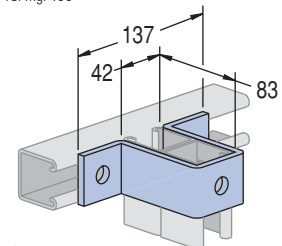
Mass: 39.2kg/100



P1000® and
P5500 Shown

P1737

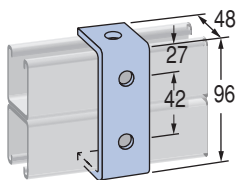
Mass: 48.4kg/100



P1000® (shown),
and P2001

P1044

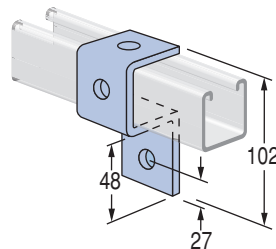
Mass: 25kg/100



P1001 Shown

P1046

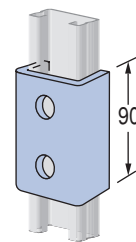
Mass: 29.2kg/100



P1000® Shown

P4376

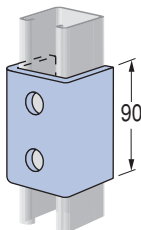
Mass: 31.7kg/100



P4000 Shown

P1376

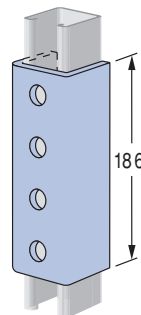
Mass: 46.7kg/100



P1000® Shown

P1377

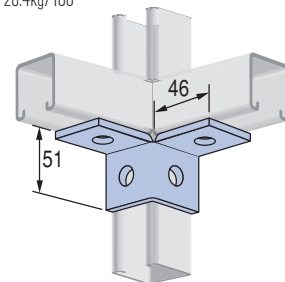
Mass: 95.9kg/100



P1000® Shown

P2223

Mass: 28.4kg/100

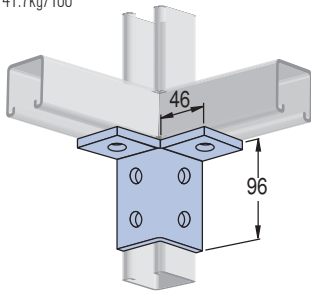


Standard Dimensions for 41mm width series Strut fittings (Unless Otherwise Shown on Drawing)
Hole Diameter: 14mm; Hole Spacing - From End: 21mm; Hole Spacing - On Centre: 48mm; Width: 40mm

UNISTRUT® FITTINGS - WING SHAPE, POST BASES

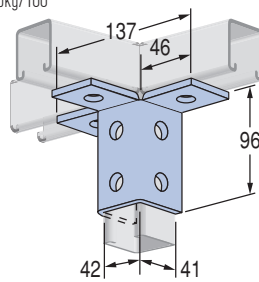
P2224

Mass: 41.7kg/100



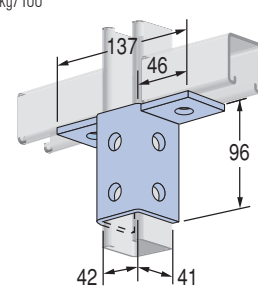
P2228

Mass: 65kg/100



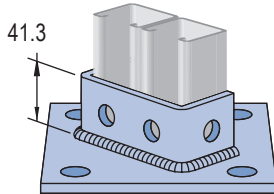
P2346

Mass: 55kg/100

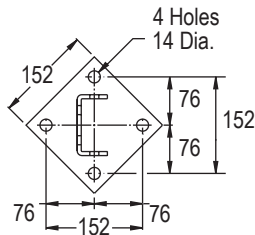


P2073/P2073SQ

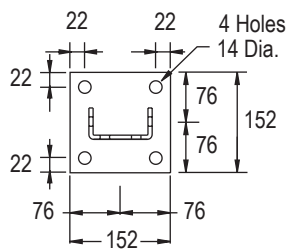
Mass: 116.7kg/100



P1001 Shown



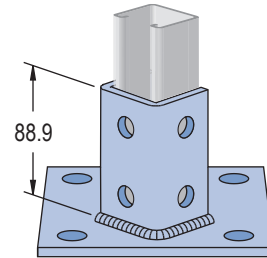
P2073



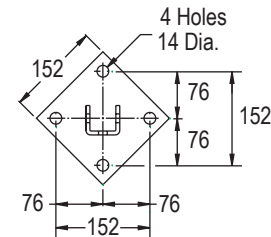
P2073SQ

P2072A/P2072ASQ

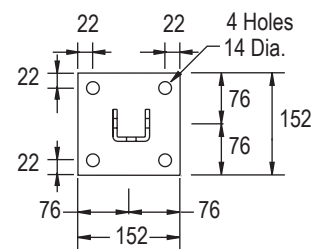
Mass: 136.7kg/100



P1000® Shown



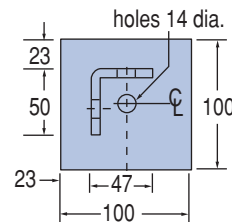
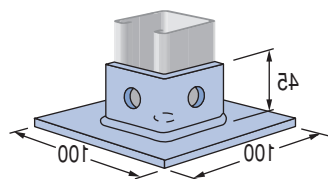
P2072A



P2072ASQ

P2072S1

P1000® Shown



Standard Dimensions for 41mm width series Strut fittings (Unless Otherwise Shown on Drawing)
Hole Diameter: 14mm; **Hole Spacing - From End:** 21mm; **Hole Spacing - On Centre:** 48mm; **Width:** 40mm

CANTILEVER BRACKETS – GENERAL INFORMATION

MATERIAL

Unless otherwise noted, all fittings are punch press formed from plate or strip steel.

FITTING APPLICATION

All product drawings illustrate only one application of each fitting. In most cases many other applications are possible.

The members shown in the illustrations are P1000®, 41mm square, except where noted otherwise. All 14mm diameter holes use M12 x 24 hex head set screws and M12 nuts - P1010, P4010 or P5510 - depending on the channel used. Nuts and bolts are not included with the fitting and must be ordered separately.

DESIGN LOAD DATA

Loadings are as shown based on calculations in accordance with AS/NZS 4600 and AS 4100.

DESIGN BOLT TORQUE

Refer to Engineering Data (See Page 47).

FINISHES

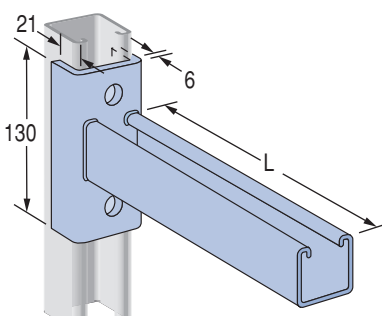
All fittings in this section are Heavy Duty Galvanised to AS/NZS4680 unless otherwise shown.

STANDARD DIMENSIONS

The following dimensions apply to all fittings except as noted on the individual part drawings:

- Hole Size - 14mm diameter
- Hole Spacing - 21mm from end
- Hole Spacing - 48mm on centre
- Width - 40mm

P2233 & P2234

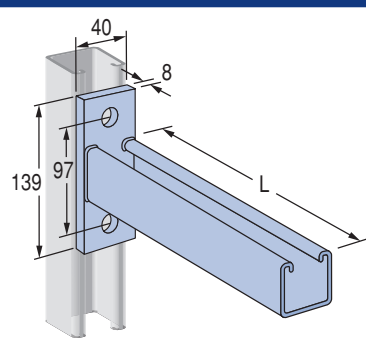


Brackets can be used inverted

Part No.	L	Design Uniform Load - kN	Mass kg/100
P2233	457	3.14	189
P2234	610	1.97	232

Note: Non stock item made to order

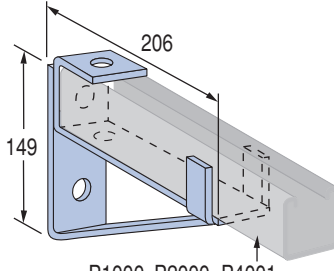
P2663 - 250 TO P2663 - 700



Brackets can be used inverted

Part No.	L	Design Uniform Load - kN	Mass kg/100
P2663-250	250	3.01	102
P2663-400	400	1.88	143
P2663-450	450	1.51	153
P2663-550	550	1.36	186
P2663-700	700	1.06	229

P1075 TO P1078

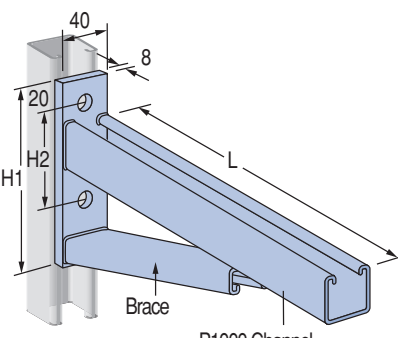


P1000, P2000, P4001

Part No.	Design Moment kN*	Mass kg/100
P1075-8	0.58	130

* Applies only to fittings and not to strength of Unistrut® arm. Designed for use with "Unistrut®" nuts, do not use through bolts.

PCL150 TO PCL900

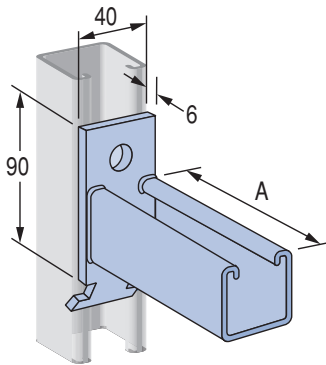


Part No.	L	H1	H2	Design Uniform Load kN	Mass kg/100
PCL150	320	165	86	4.47	170
PCL300	470	165	86	3.17	230
PCL450	635	215	112	3.33	340
PCL600	780	215	112	2.80	380
PCL750	930	280	160	1.24	470
PCL900	1080	280	160	1.08	510

UNISTRUT®

CANTILEVER BRACKETS

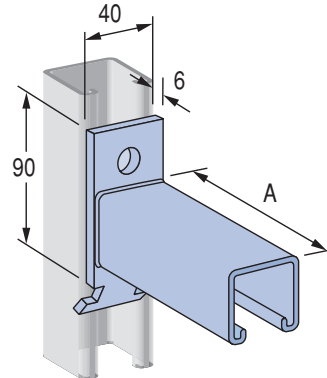
P2513 TO P2516



Part No.	A	Design Uniform - Load kN	Mass kg/100
P2513	250	1.77	91
P2514	400	1.10	128
P2515	550	0.80	177
P2516	700	0.62	216

Note: Non stock item made to order

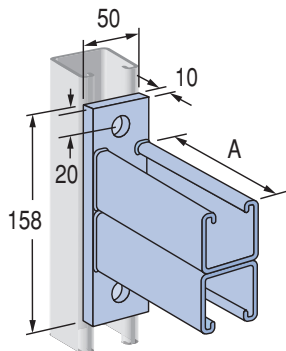
P2513A TO P2516A



Part No.	A	Design Uniform - Load kN	Mass kg/100
P2513A	250	1.77	91
P2514A	400	1.10	128
P2515A	550	0.80	177
P2516A	700	0.62	216

Note: Non stock item made to order

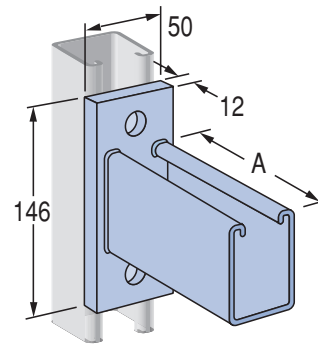
P2542 TO P2546



Part No.	A	Design Uniform - Load kN	Mass kg/100
P2542	305	7.57	228
P2543	460	5.22	314
P2544	610	3.98	400
P2545	760	3.21	487
P2546	915	2.67	574

Note: Non stock item made to order

P5663 - 300 TO P5663 - 750



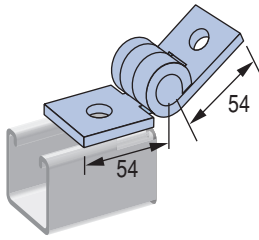
Part No.	A	Design Uniform - Load kN	Mass kg/100
P5663-300	300	6.93	173
P5663-450	450	4.78	224
P5663-600	600	3.62	276
P5663-750	750	2.91	327

Note: Non stock item made to order

ADJUSTABLE BRACE FITTINGS & BEAM CLAMPS

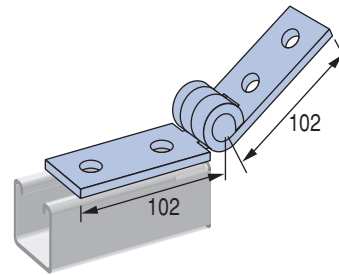
P1843W

Mass: 31kg/100



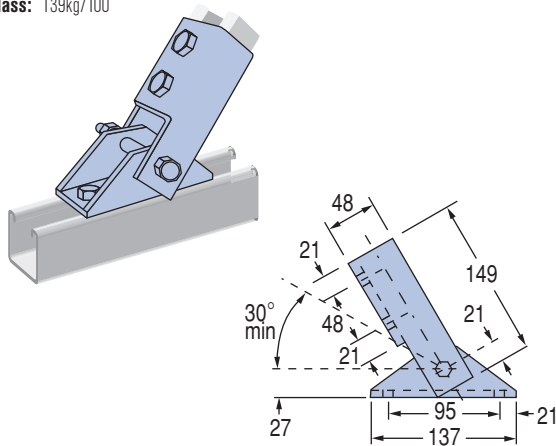
P1354

Mass: 49kg/100



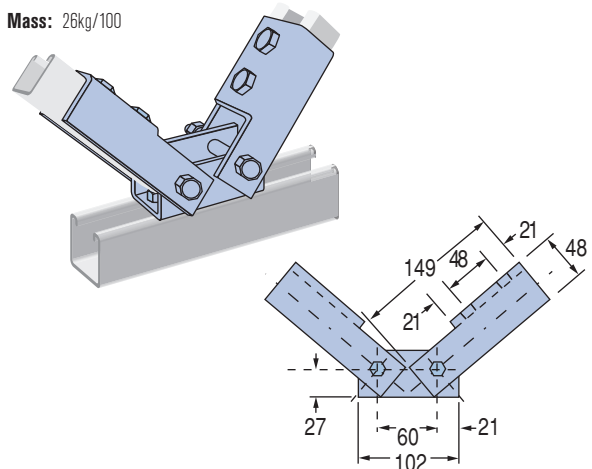
P2815

Mass: 139kg/100

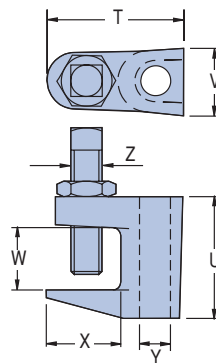
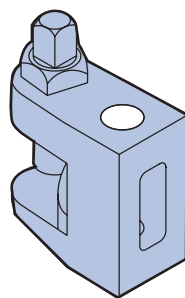


P2815D

Mass: 26kg/100



EF1600 - FLANGE CLAMP



Standard Finishes: Z.P

Product Code	Drop Rod	Tensile Loads Safe Working Load 4:1 (kN)	Setscrew Torque (Nm)	Lockout Torque (Nm)	T	U	V	W	X	Y	Z
EF1600-10	M10	2.4	8	22	45	40	22	19	22	11	10
EF1600-12	M12	3.1	8	22	50	46	25	23	28	13	10

The simplest, quickest and most cost-effective method of suspending building services from steel beams and suitable for use with parallel or tapered flange beams, the EF1600 can be supplied with the back hole drilled to accept a threaded rod. The EF1600 uses a grade 8.8 cup point setscrew to provide a maximum bite into steelwork and maximum load performance.

UNISTRUT® BEAM CLAMPS

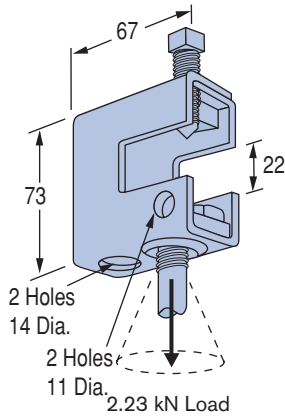
APPLICATION

Beam Clamps are designed to provide a fast easy attachment to overhead structures. They alleviate the need for drilling and welding as well as being completely adjustable.

Finishes – Standard finishes as shown.

Design Bolt Torque – Refer to Engineering Data (page 47)

P2676



Mass: 31kg/100

Beam Attachment Applications:

Clamp P2676 provides a means of rod suspension, either fixed, or where a free swing of up to 15 degrees is required. Swivel nuts to be ordered separately.

Clamp may also be used with P2677 as illustrated in application drawings.

Available Finishes:

Z.P, H.D.G. & S.S.

M12 x 50 cone-pointed screw & nut included

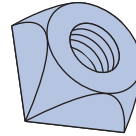
Clamp material 3mm thick

Swivel nut and Lock nut not included

Rod size up to M12

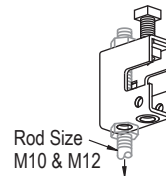
Rod swivel 15° all directions

P2676 – SWIVEL NUT



Part No.	Size	Mass kg/100
P267910	M10	1.7
P267912	M12	1.5

Note: Swivel nuts are used with P2676 and P2677. Order size as required.

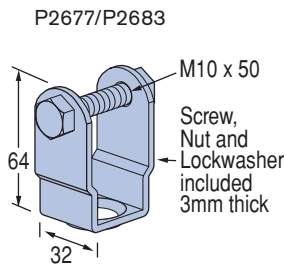


Design Load
1.33 kN



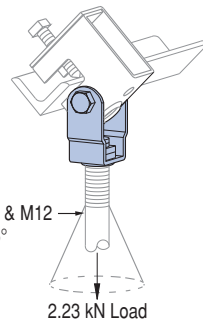
Design Load
2.23 kN

P2677/P2683



P2677/P2683

P2677 & P2679



Rod size M10 & M12
Rod swivel 15°
all directions

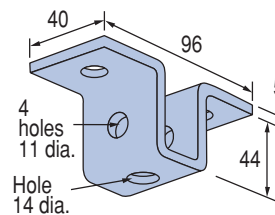
2.23 kN Load

Mass: 13.6kg/100

P2677/P2683 clevis hanger to be used with P2677/P2683 to provide angle adjustment and 15 degree free swing for up to M12 rod suspension. Order P2679 series swivel nuts required.

Standard Finishes: Z.P

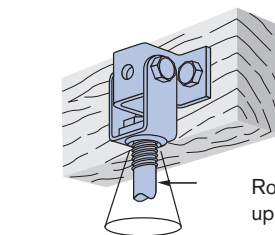
P2682



Mass: 23kg/100

Hanger clevis for up to M12 rod suspension. Suitable for wood ceilings. May also be used with P2677 as illustrated in application drawings.

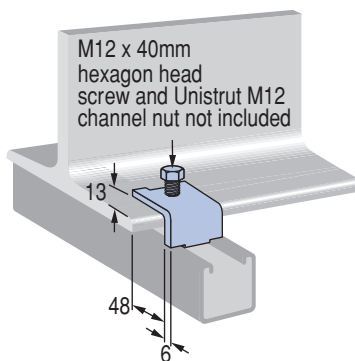
Standard Finishes: Z.P



Rod size
up to M12

Rod size up to M12
Rod swivel 15°
all directions

P1386



Mass: 12kg/100

Design Load each:

P1000® - 2.67kN

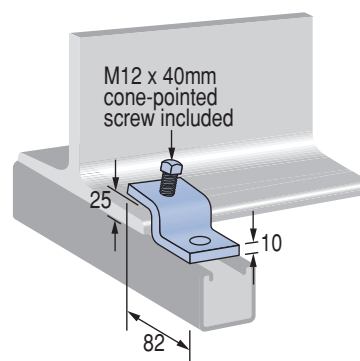
P2000 - 2.00kN

Standard Finishes:

H.G

Use in pairs only

P1379



Mass: 34kg/100

Design Load each:

P1000® - 2.67kN

P2000 - 2.00kN

Standard Finishes:

H.G

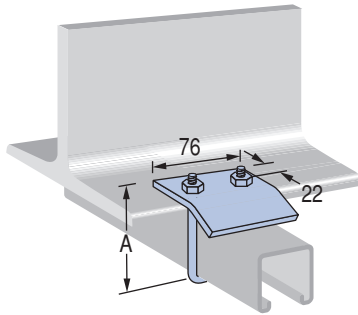
Each clamp requires:

M12 x 30 Hex Head Set Screw and
M12 Channel Nut (not included)

Use in pairs only

UNISTRUT® BEAM CLAMPS

P2785 & P2786



P2785 accepts following channels:
P1000®, P2000, P3300, P4000
A = 86 Mass: 38kg/100
For use with beams up to 19mm

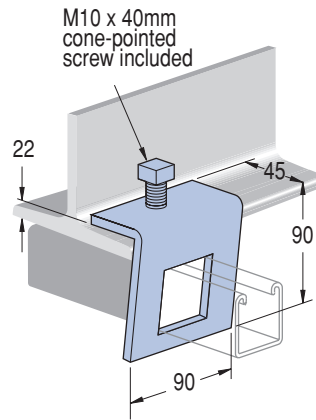
P2786 accepts following channels:
P1001, P2001, P5500
A = 127 Mass: 41kg/100
For use with beams up to 19mm

Design Load each:
4.45kN

Standard Finishes:
H.G

Use in pairs only

P1796



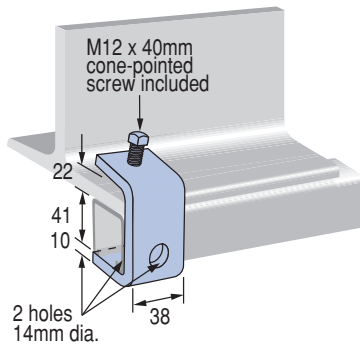
Mass: 49kg/100
Suits P1000® & P2000

Design Load each:
2.22kN

Standard Finishes:
H.G

Use in pairs only

P1271



Mass: 43kg/100

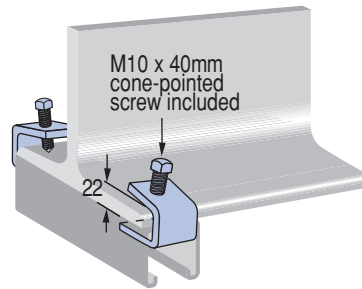
Design Load each:
2.22kN

Standard Finishes:
H.G

Requires P1010 Channel nut & bolt

Use in pairs only

P1272



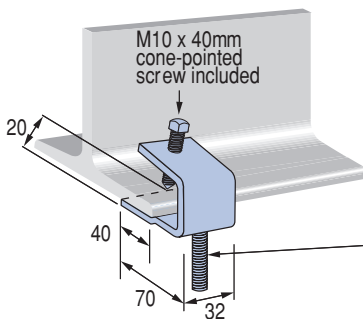
Mass: 18kg/100

Design Load Per Pair:
2.00kN

Standard Finishes:
H.G

Use in pairs only

P1270



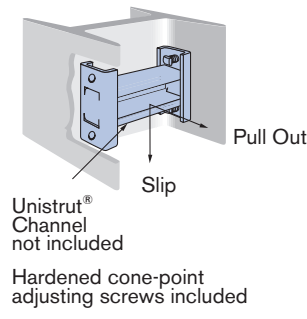
Mass: 29kg/100

Design Load each:
0.38kN

Standard Finishes:
H.G

Tapped hole to accept M10 Unirod, to be secured with M10 nut (not included)

P3087



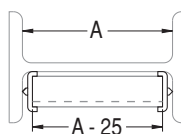
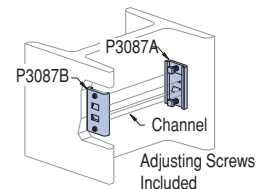
Mass: 124kg/100 (pair)

Safety Factor: 3

Standard Finishes:
H.G

Unistrut® Channel not included

Hardened cone-point adjusting screws included

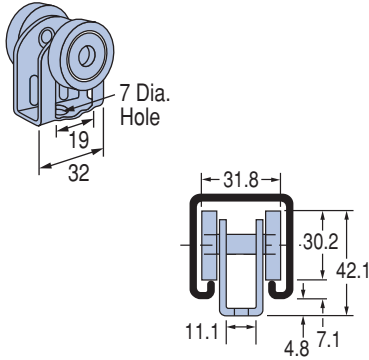


Channel Type	Design Pullout Load kN	Design Slip Load kN
P1000	4.45	3.56
P2000	2.22	1.33

UNISTRUT® TROLLEY ASSEMBLIES

P2749/P2749N

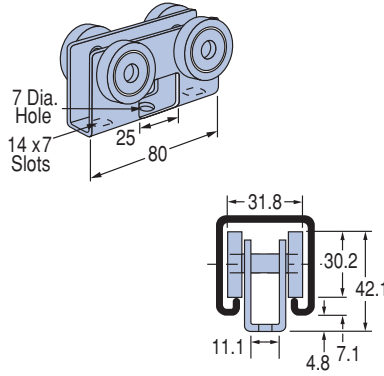
Mass: 10kg/100
Clevis: 2.5mm



Note: 'N' indicates Acetal wheels

P2750/P2750N

Mass: 22kg/100



Note: 'N' indicates Acetal wheels

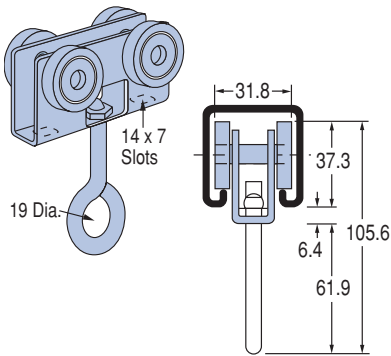
LOADS (kN)

Part No.	Wheel - Steel Ball Bearing Approx. Design Load kN
P2749	0.22
P2750	0.45
P2751	0.45

Part No.	Wheel - Acetal Approx. Design Load kN
P2749N	0.04
P2750N	0.09
P2751N	0.09

P2751/P2751N

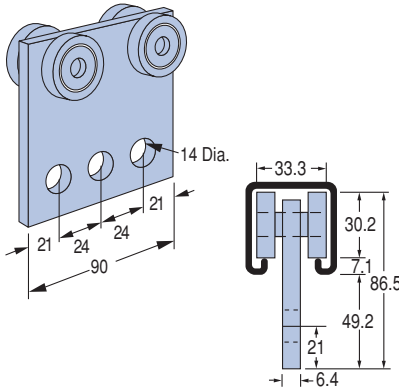
Mass: 26kg/100
Clevis: 2.5mm



Note: 'N' indicates Acetal wheels

P2950

Mass: 48kg/100

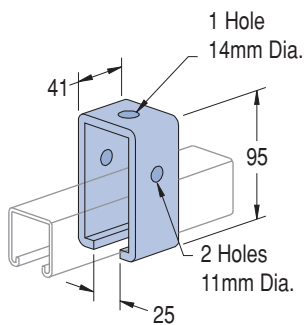


P2950 LOADS (kN)

MPM	RPM	Design Load in P1000® kN
54	600	1.33
27	300	2.00
9	100	2.67

P1834 - TROLLEY SUPPORT

Mass: 99.8kg/100
Design Load: 5.34kN
Requires M10 x 70 Bolt & Nut. Not Included.



P1834A - TROLLEY SUPPORT

Mass: 46kg/100
Design Load: 11.12kN
Requires M10 x 70 Bolt & Nut. Not Included.

