

# UNISTRUT® NEMA AL20 CABLE LADDER

## TECHNICAL DATA

**Cable Depth:** 100mm

### Loading Data:

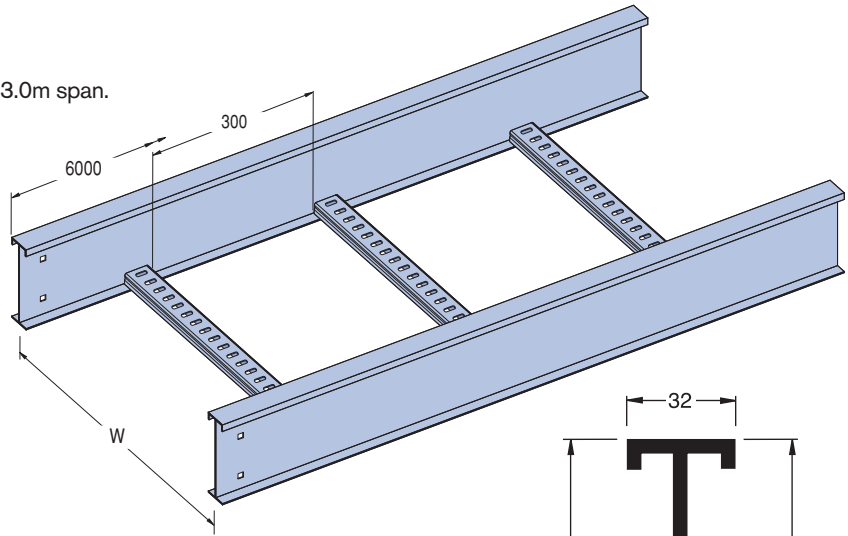
Basic Load Capacity = 370 kgs/lin.m on 3.0m span.

**Length:** 6m

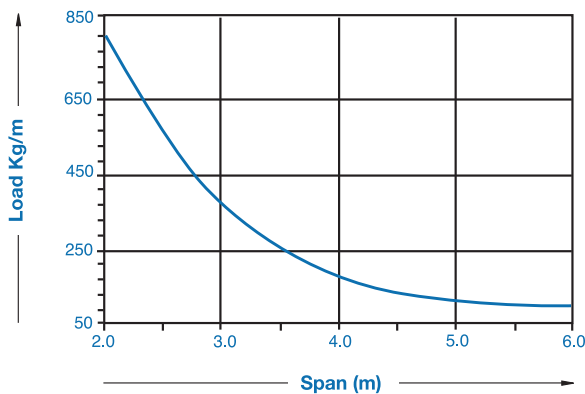
**Rung Spacing:** 300mm nominal

## PARTS LIST

| Dim "W" | Type | Part No. |
|---------|------|----------|
| 150     | 20   | AL20 150 |
| 300     | 20   | AL20 300 |
| 450     | 20   | AL20 450 |
| 600     | 20   | AL20 600 |
| 750     | 20   | AL20 750 |
| 900     | 20   | AL20 900 |

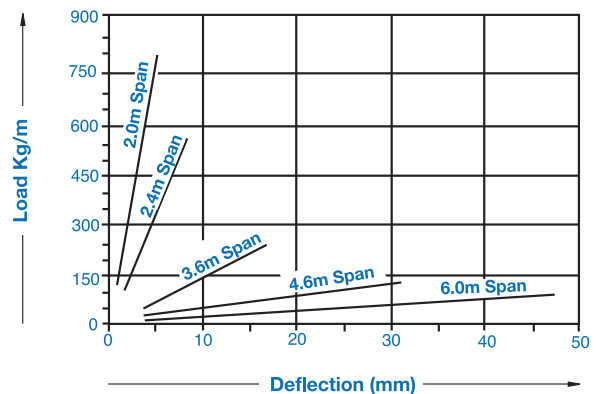


## ALLOWABLE LOAD GRAPH



Allowable loads are determined generally in accordance with NEMA standard VE 1 and verified by testing. Safety factor = 1.5 on collapse load for single span.

## DEFLECTION GRAPH



Deflections shown apply to the end-bays (ie. worst case) of a continuous ladder run. To find deflection of a single span, multiply by 2.5.