

UNISTRUT® NEMA AL16 CABLE LADDER

TECHNICAL DATA

Cable Depth: 80mm

Loading Data:

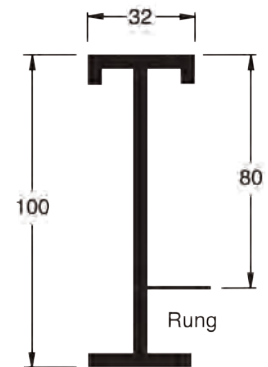
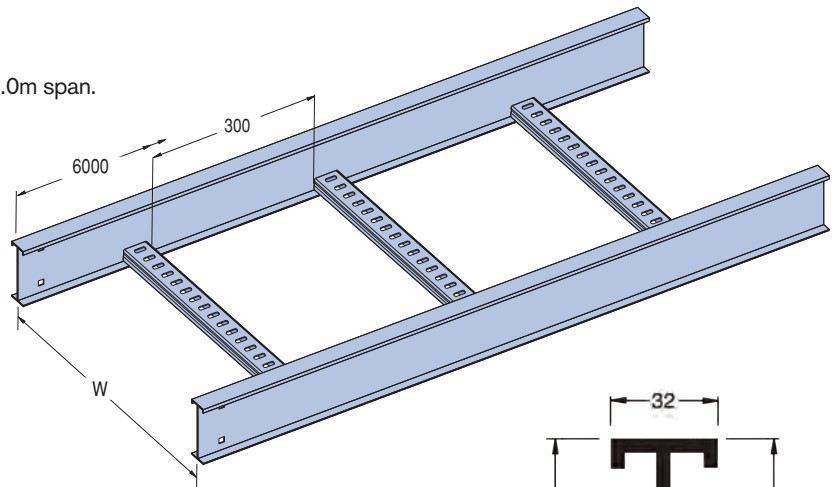
Basic Load Capacity = 225 kgs/lin.m on 3.0m span.

Length: 6m

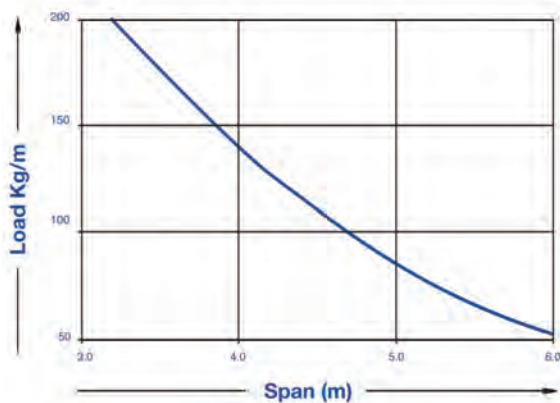
Rung Spacing: 300mm nominal

PARTS LIST

Dim "W"	Type	Part No.
150	16	AL16 150
300	16	AL16 300
450	16	AL16 450
600	16	AL16 600
750	16	AL16 750
900	16	AL16 900

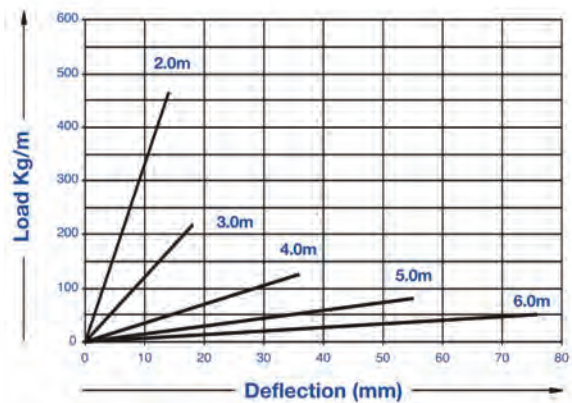


ALLOWABLE LOAD GRAPH



Allowable loads are determined generally in accordance with NEMA standard VE 1 and verified by testing. Safety factor = 1.5 on collapse load for single span.

DEFLECTION GRAPH



Deflections shown apply to the end-bays (ie. worst case) of a continuous ladder run. To find deflection of a single span, multiply by 2.5.