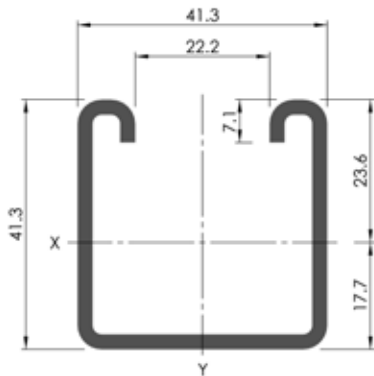


EM1000 METAL FRAMING ROLL-FORMED CHANNELS

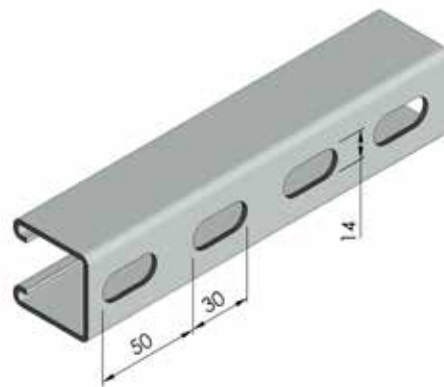
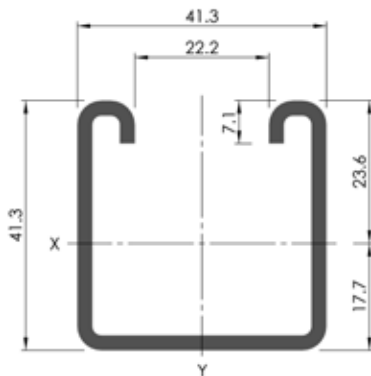
EM1000



EM1000

Weight: 2.59kg/m
Thickness: 2.5mm
Material: 250MPa (minimum yield stress) mild steel
Finishes: Plain, Pre-Galvanised, Hot Dipped Galvanised, Electro Powder Coated, 316 GR Stainless Steel (other finishes available on request)

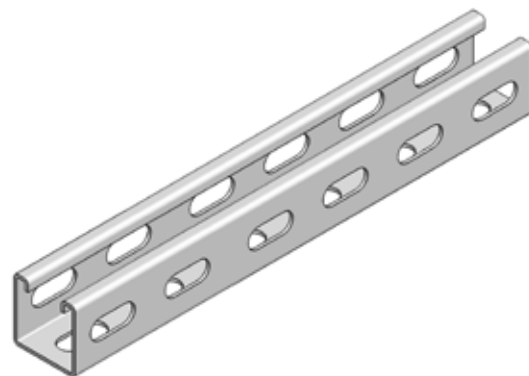
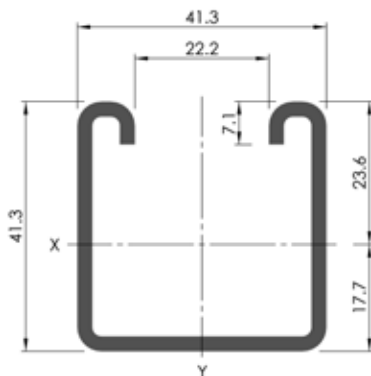
EM1000T



EM1000T

Weight: 2.32kg/m
Thickness: 2.5mm
Material: 250MPa (minimum yield stress) mild steel
Finishes: Plain, Pre-Galvanised, Hot Dipped Galvanised, Electro Powder Coated, 316 GR Stainless Steel (other finishes available on request)

EM1000T3 PG



EM1000T

Weight: 2.32kg/m
Thickness: 2.5mm
Material: 250MPa (minimum yield stress) mild steel
Finishes: Plain, Pre-Galvanised, Hot Dipped Galvanised, Electro Powder Coated, 316 GR Stainless Steel (other finishes available on request)

All load testing complies to AS/NZS 4600 Cold-Formed Steel Structures Code

CERTIFIED QUALITY SYSTEM – ISO 9001:2015 BH OHSAS 18001 :2007 & AS/NZS 4801 : 2001 PAS99: 2012