

WINDOW FANS - SELV and Auto Shutter

These fans are designed for installation situations where an existing window fan is being replaced or where there is no available external wall, or ceiling, space access. SELV fans are designed for use in wet area zones 1, 2 and 3 and incorporate a 12V AC motor and a 12V AC isolating transformer. Auto shutter models have automated backflow prevention vanes. 5 year warranty.

Safety Extra Low Voltage (SELV)												
Classic Standard Profile	Duct (mm)	Fan Type	Max. Fan Watts (W)	Max. Fan Pressure (Pa)	Free Air Fan Performance		Specific Fan Power (W/l/s)	Sound dB(A)	Fascia	Switching	Model	Order Code
					(l/s)	(m ³ /hr)						
	100	Axial	20	20	23	85	0.87	41	Square	Pull Cord	WF100PLV	FAN5884
Safety Extra Low Voltage (SELV) & Auto Shutter												
Classic Standard Profile	Duct (mm)	Fan Type	Max. Fan Watts (W)	Max. Fan Pressure (Pa)	Free Air Fan Performance		Specific Fan Power (W/l/s)	Sound dB(A)	Fascia	Switching	Model	Order Code
					(l/s)	(m ³ /hr)						
	150	Axial	25	60	87	313	0.29	40	Square	Pull Cord	WF150APLV	FAN5897
Auto Shutter												
Classic Standard Profile	Duct (mm)	Fan Type	Max. Fan Watts (W)	Max. Fan Pressure (Pa)	Free Air Fan Performance		Specific Fan Power (W/l/s)	Sound dB(A)	Fascia	Switching	Model	Order Code
					(l/s)	(m ³ /hr)						
	300	Axial	82	60	306	1100	0.27	60	Square	Standard	WF300A	FAN0482
	230	Axial	45	50	152	550	0.30	50	Square	Pull Cord	WF230AP	FAN0146
	150	Axial	25	60	87	313	0.29	40	Square	Pull Cord	WF150AP	FAN0107
										Pull Cord Timer	WF150APT	FAN0109
	300	Axial	82	60	280	1020	0.29	60	Square	Standard/ Auto	COM300A	FAN0521
										Standard/ Pull Cord	COM300MP	FAN0520
										Standard/ Auto	COM230A	FAN0519
	230	Axial	45	50	185	670	0.24	53	Square	Standard/ Pull Cord	COM230MP	FAN0518

Note: Installed system performance is always influenced by duct length and layout
Electrically operated louvre shutters open automatically when fan is running - prevents backdraughts.

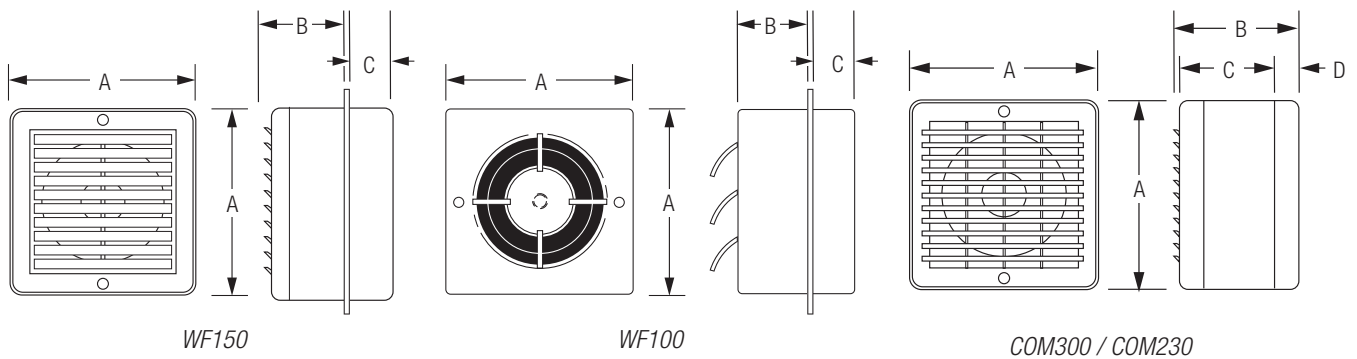
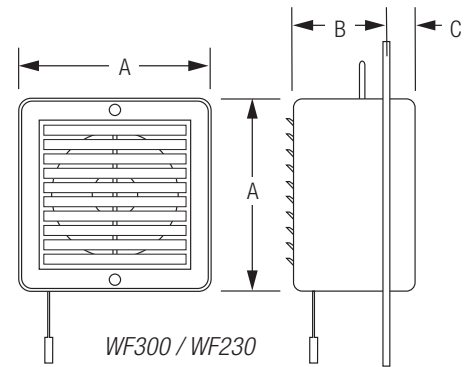
Switching Options

- Standard** Remote switch (not supplied).
- Pull Cord Timer** Pull cord is integral part of fan. Fan continues operating for 7 minutes after switching off.
- Pull Cord** Integral part of fan.
- Standard/Auto** Remote switch (not supplied) and internal thermo-activation of shutters
- Standard/Pull Cord** Remote switch (not supplied) and manual operation of shutters by pull cord

WINDOW FANS - SELV and Auto Shutter

Dimensions (mm)

Model	Cut-Out Size	A	B	C	D
WF300	310-345	362	4-32	112	29
WF230	255-270	286	4-32	112	25
WF150	165-190mm	203	125	23	-
WF100	115-155mm	163	120	30	-
COM300	310-345	362	170	145	25
COM230	255-270	286	154	125	25



Technical

Supply	SELV	12V DC
	Auto Shutter	220-240V AC, 50Hz
Max. Operating Temp		50°C
IP Rating		IPX4