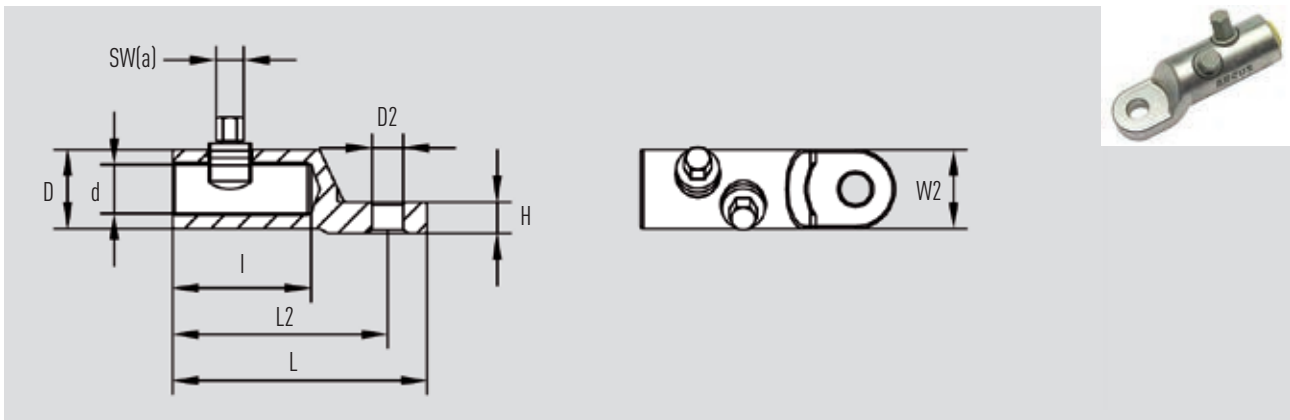


Aluminium Screw Cable Lugs MV

INTELLIGENT CONTACT SCREW WITH CONCENTRIC DESIGN



Size	Cross Section (mm ²)	Dimensions (mm)										Contact Screw			Type Number	
		filled with grease	tin-plated	W2	D	D2 ⁽¹⁾	d	H	L	L2	l	shear-head screw unremovable	number	SW(a) (DIN 475)		torque (Nm)
1	25-95 RE 25-70 RM / 95 RM(v) 50-70 SE / 95 SE(r) 35-50 SM / 70 SM(*)	•	•	23	23	12	12.4	8	77.5	66	44	•	2	8	16 ^{0L} -19	298 307
2	50-150 RE 50-120 RM / 150 RM(v) 50-120 SE / 150 SE(r) 50-95 SM / 120 SM(r)	•	•	28	28	13	15.4	10	92	78	51	•	2	8	19 ^{0L} -22	298 341
3	70-240 RE 70-185 RM / 240 RM(v) 70-150 SE / 185(*) 70-150 SM / 185 SM(r)	•	•	33	33	13	20.4	13	106.5	90	58	•	2	10	27 ^{0L} -31	208 039
4	120-300 RE 120-300 RM / 300 RM(v) 120-240 SE 120-185 SM / 240 SM(r)	•	•	36	36	13	24.4	15	121	103	64.5	•	3	13	28 ^{0L} -32	208 041
5	95-400 RE 195-400 RM / 400 RM(v) 95-240 SE 95-2405 SM / 300 SM(r)	•	•	42	42	17	27.4	16	136	115	79	•	2	10	27 ^{0L} -31	208 042
6	300-630 RE 300-630 RM 300-630 RM(v) 300-400 SM (*)	•	•	52	52	17	33.4	18	164	138	93	•	3	13	28 ^{0L} -32	208 043
7	800-1000 RE 800-1000 RM(v)	•	•	60	60	21	40.4	20	190	160	104	•	4	13	98 ^{0L} -32	208 044

Explanation of cross sections: R=Round, S=Sectorial, E=Solid, M=Stranded, (r)=Rounded, (v)=Compacted

(*)=conductor slightly rounded, for instance with flat-nosed pliers

Explanation of key sizes of contact screws: SW(a)=outer hexagon

(1) Also available with other palm hole size, if required

(2) Depending on size of cross section