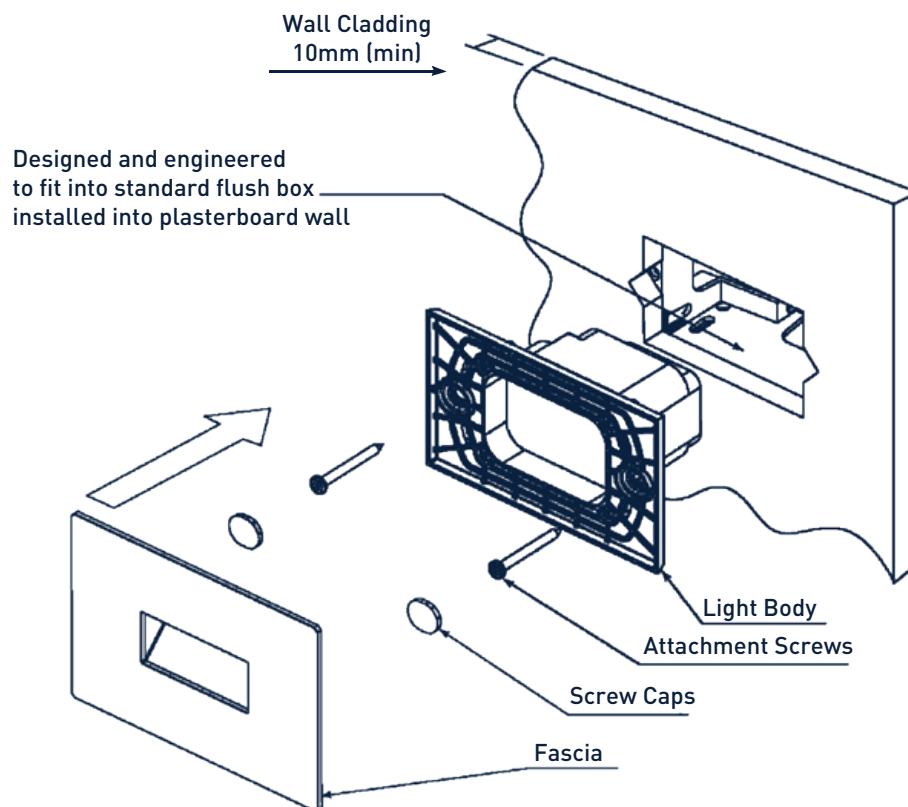
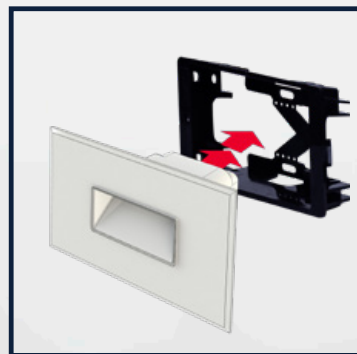


INTRODUCING THE DIAZ

STEP LIGHT



Key Features:



Fits into standard flush boxes, saving time at installation.





Matches all standard Fusion and Urban switchgear.

Look out for the unique **Eco-friendly** molded fibre packaging with **NO paper waste!**



Code	Type	Power	Lumen Output	Colour Temp	Fascia Size
VST1	White Gloss	3W	80lm	3000k	116 x 78mm
VST1B	Black Metal	3W	80lm	3000k	116 x 78mm
VST1S	Silver Metal	3W	80lm	3000k	116 x 78mm

Christchurch Office

388-396 Tuam Street, Phillipstown, Christchurch 8011
 PO Box 9022, Tower Junction, Christchurch 8149
 P (+64) 3 379 9283 F (+64) 3 379 6838
 E sales@vynco.co.nz

Auckland Office

9 Levene Place, Mt Wellington, Auckland 1061
 PO Box 12 249, Penrose, Auckland 1642
 P (+64) 9 525 6051 F (+64) 9 525 5799
 E sales@vynco.co.nz